

GROVE

DRUCKLUFTANLAGE
COMPRESSED-AIR SYSTEM

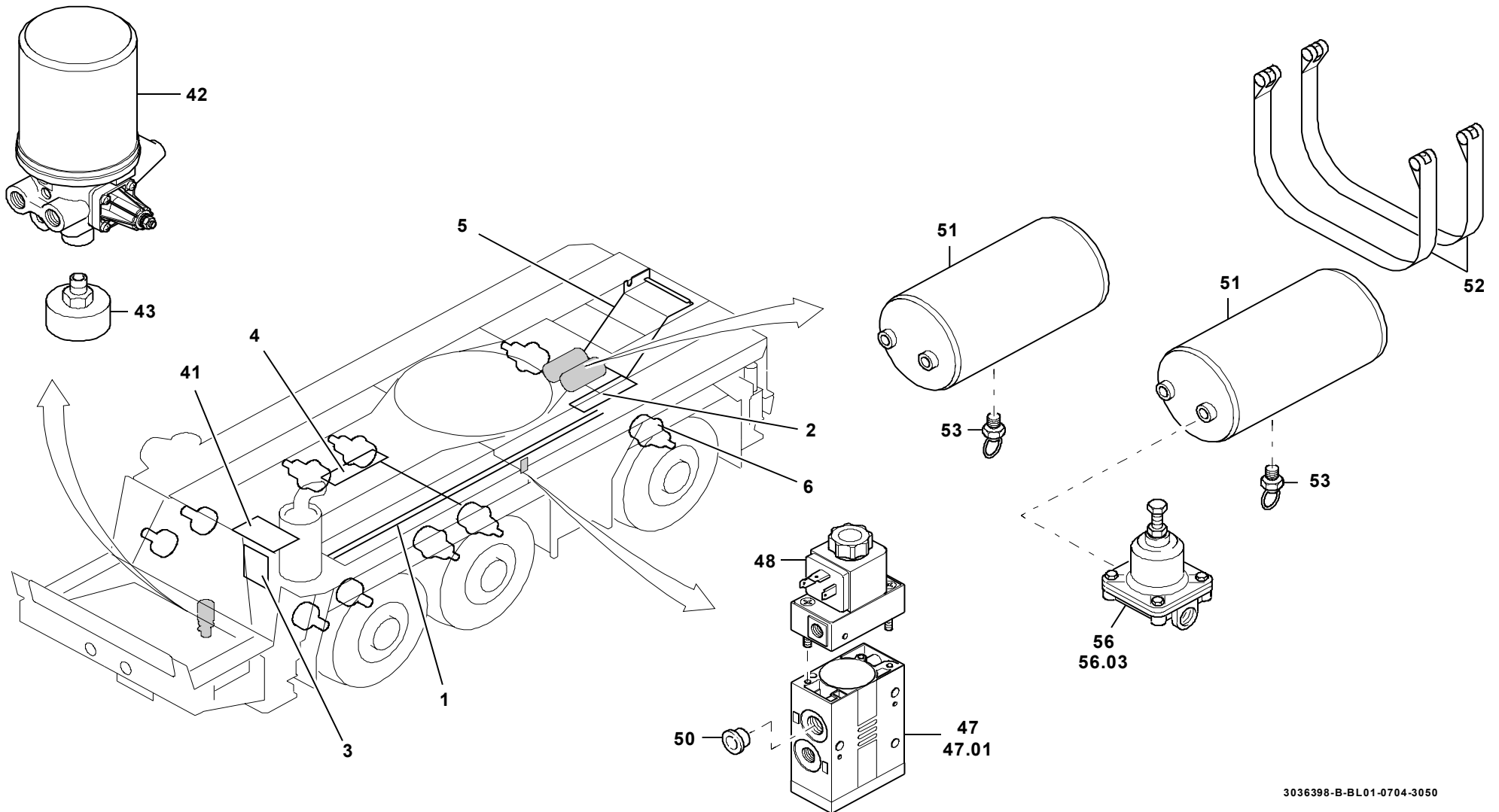
BILDТАFЕL
PICTORIAL DISPLAY

GMK 3050
BE 503
G 751

07.04

3036398-ETL B

1/2



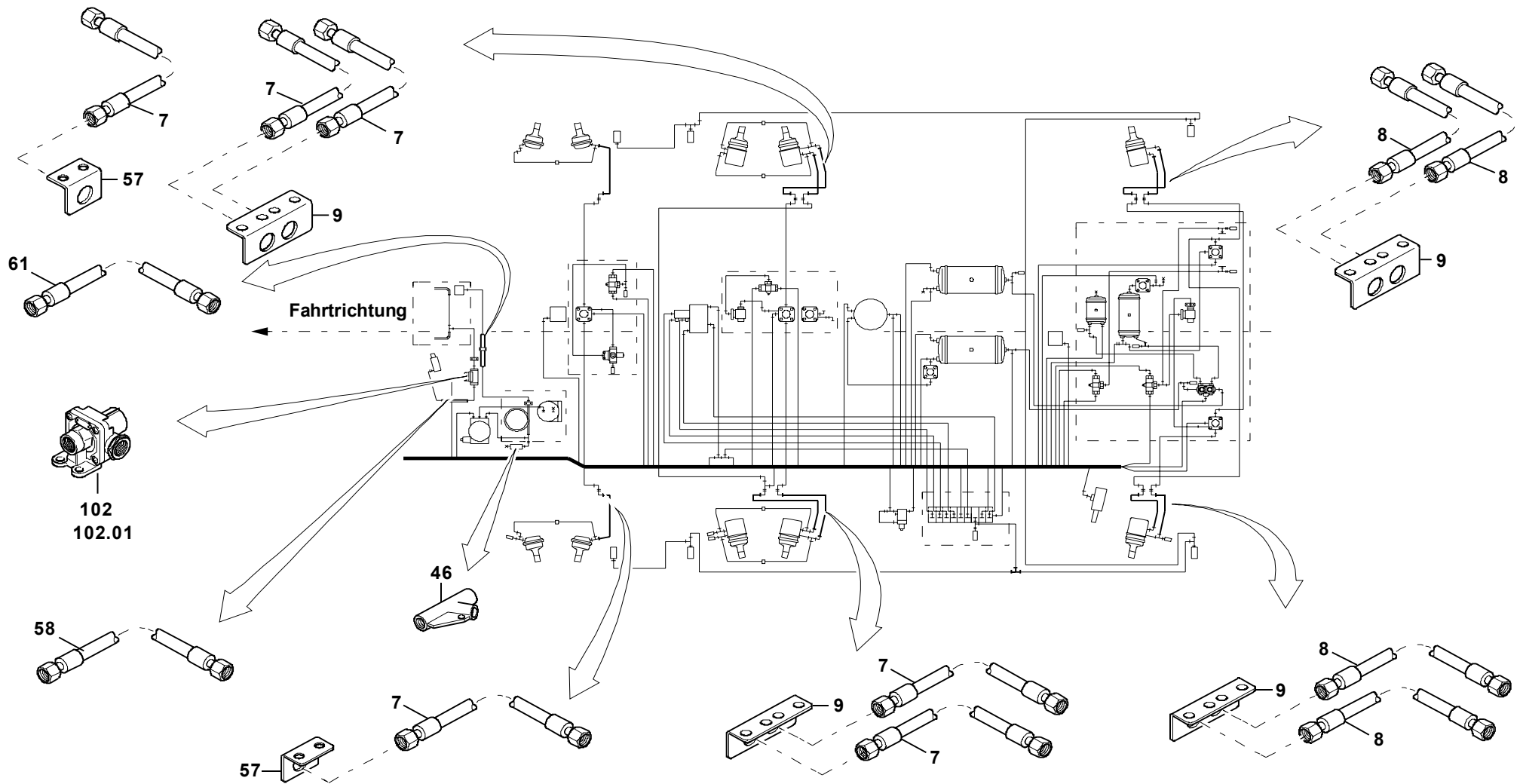
GROVE
DRUCKLUFTANLAGE
COMPRESSED-AIR SYSTEM

 BILDТАFEL
 PICTORIAL DISPLAY

07.04

3036398-ETL B

2/2

GMK 3050
BE 503
G 751


3036398-B-BL02-0704-3050